

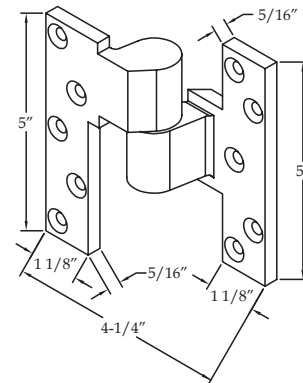
Intermediate Pivots

019 Intermediate Pivot - 3/4" Offset

Standard Features

- Doors ranging from 60" tall should use one intermediate pivot. An additional intermediate pivot should be used for each additional 30" in door height. (ie, 90" tall door should use two intermediate pivots)
- Mortises into side jamb and hinge edge of door
- Handed - Specify LH or RH
- For use with 3/4" offset pivot sets
- Helps maintain door alignment
- UL listed for use on 3-hour fire rated doors - **Standard**
- Heavy duty stainless steel needle bearings
- Stainless steel base material

Meets or exceeds
ANSI C07321 & C07371

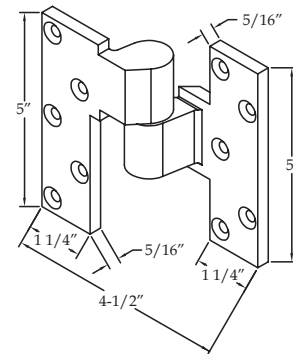


L019 Intermediate Pivot - 3/4" Offset

Standard Features

- Doors ranging from 60" tall should use one intermediate pivot. An additional intermediate pivot should be used for each additional 30" in door height. (ie, 90" tall door should use two intermediate pivots)
- Mortises into side jamb and hinge edge of door
- Handed - Specify LH or RH
- **For use with 3/4" offset lead-lined pivot sets**
- 1-3/4" lead-lined doors
- Helps maintain door alignment
- UL listed for use on 3-hour fire rated doors - **Standard**
- Heavy duty stainless steel needle bearings
- Stainless steel base material

Meets or exceeds
ANSI C07311



019-1.5 Intermediate Pivot - 1-1/2" Offset

Standard Features

- Doors ranging from 60" tall should use one intermediate pivot. An additional intermediate pivot should be used for each additional 30" in door height. (ie, 90" tall door should use two intermediate pivots)
- Mortises into side jamb and hinge edge of door
- Handed - Specify LH or RH
- For use with 1-1/2" offset pivot sets
- Helps maintain door alignment
- UL listed for use on 3-hour fire rated doors - **Standard**
- Heavy duty stainless steel needle bearings
- Stainless steel base material

Meets or exceeds
ANSI C07321 & C07371

