

# Electromagnetic Door Holders

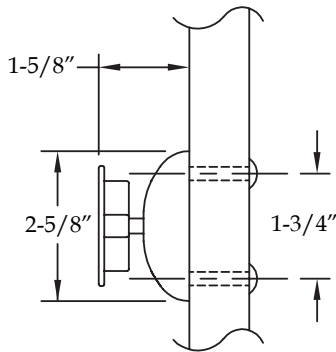


Innovation, Quality,  
Customer Service...

## Parts

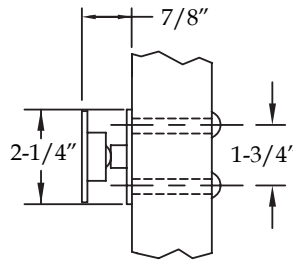
### Door Armatures

- Available in US28, S1, S2, S3, S4, S5, US32D or US32 finishes



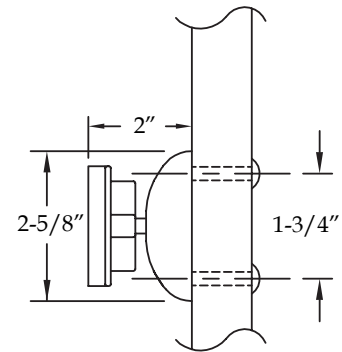
**20020**

(2100, 2300, 2400, 2600 & 2700 models)



**24020**

(2400L model)

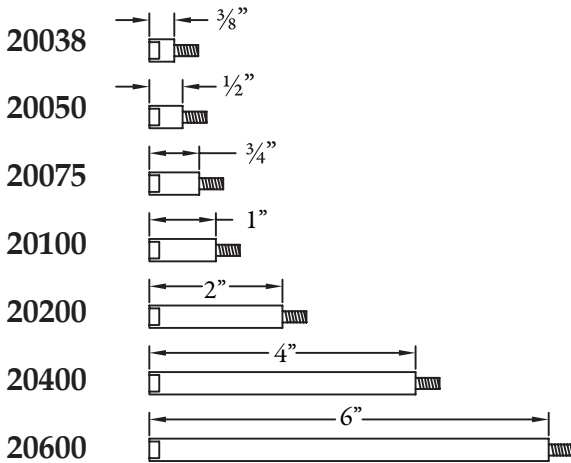


**25020**

(2510 model)

### Extensions

- Available in zinc plated finishes only



### Electrical Boxes

- Available in US28, S1, S2, S3, S4 or S5 finishes

**23005** - 2300 model

**25005** - 2510 model

### Wall Covers

- Available in US28, S1, S2, S3, S4, S5, US32D or US32 finishes

**20012** - 2100 & 2300 models

**20014** - 2400, 2400L & 2400LS models

**20015** - 2510 model

### Wall Portions with Covers

- Available in US28, S1, S2, S3, S4, S5, US32D or US32 finishes

**21030** - 2100 model

**23030** - 2300 model

**24030** - 2400, 2400L & 2400LS models

**25030** - 2510 model

### S20020

- Custom Armature with Extension for lengths greater than 10"
- Specify overall length required from face of door to face of magnet
- Available in US28, S1, S2, S3, S4, S5, US32D or US32 finishes (extension red portion always provided in US32D)

