

## PT105, PT180, PTR105 and PTR180

### Standard Features

- These models provide housing for running wires from the frame to the door in a secure and discreet manner
- Stainless steel housing and spring conduit
- Spring conduit fits wire bundles up to 5/16" thick
- Shipping weight: 1 lb.
- Works with most butt hinges, continuous hinges and 3/4" offset pivots
- Standard finishes: US32D or US10B - Contact factory for custom finishes.

### Options

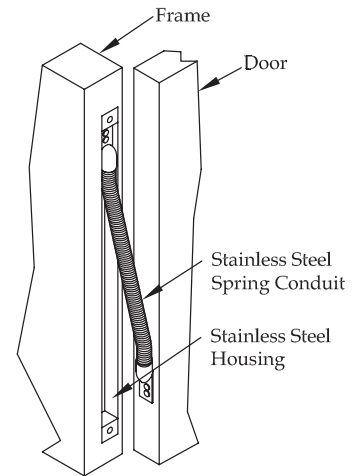
- **SEC** - Security Fasteners
- **SC** - For swing clear application (PT180 and PTR180 models only)
- **2WIRE** - Provided with (2) 18 AWG wires
- **10WIRE** - Provided with (10) 24 AWG wires
- **EZ** - EZ Connect Molex<sup>®</sup> Plug-in Connectors for installation ease

### Models Available

- **PT180** - 180° maximum door swing, square mounting tabs
- **PTR180** - 180° maximum door swing, round mounting tabs
- **PT105** - 105° maximum door swing, square mounting tabs
- **PTR105** - 105° maximum door swing, round mounting tabs



**PT105**  
**PT180**



**PTR105**  
**PTR180**

