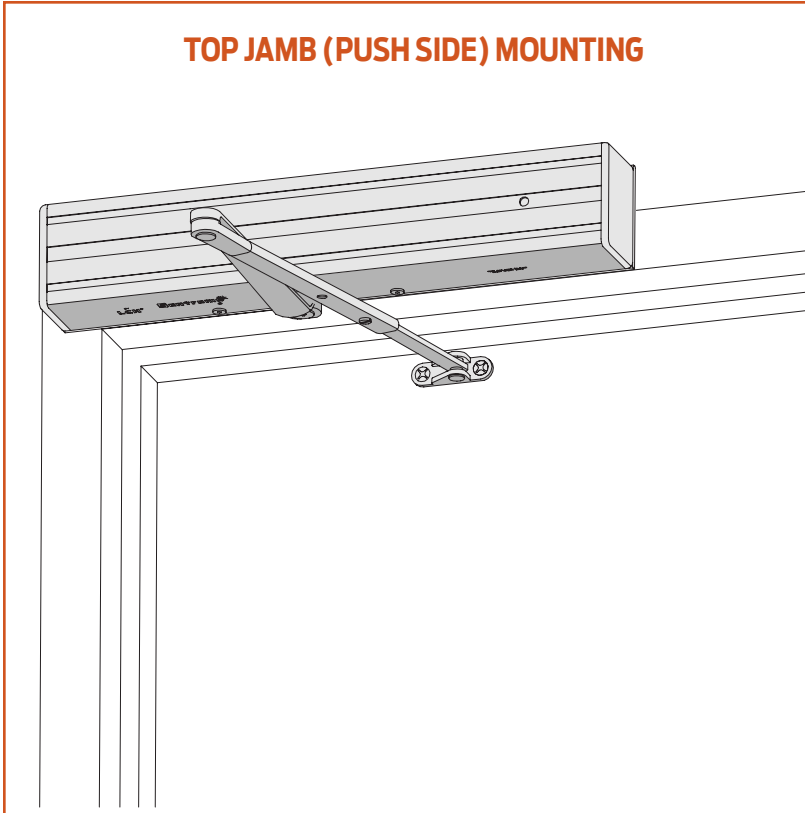


4410ME SERIES

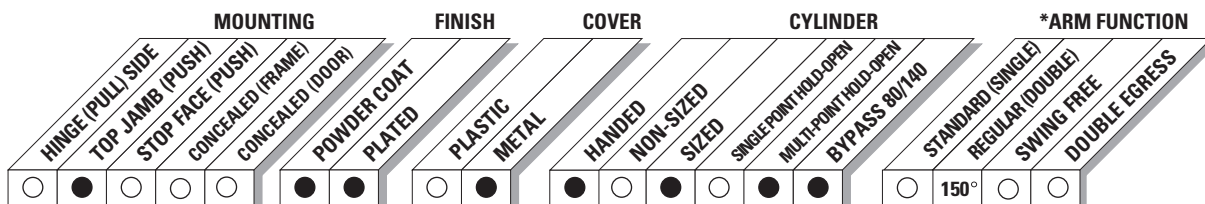
TOP JAMB (PUSH SIDE) MOUNTING



The 4410ME SENTRONIC® is a heavy duty, electrically controlled closer/holder designed to provide infinitely adjustable hold-open for fire and smoke barrier doors. Door is held open until current interruption releases mechanism and the door closes. Double lever arm closer is specifically designed for interior doors. Choice of finishes, cylinder functions, and installation accessories meet virtually all life safety requirements.

The 4410ME Series is UL listed for smoke barrier or labeled fire doors. Tested and certified under ANSI Standard A156.15. Conforms to life safety code, NFPA 101. An ME provides only the closer/holder function.

- Standard 4410ME Series closer shipped with a 24V or 120V cylinder (please specify) on a mounting plate, metal cover, regular arm, and wood and machine screw pack. See 4410ME Series pages 35 & 36 for options.
- Sized cylinder for interior doors to 4' 0".
- Functions as full rack and pinion door closer when hold-open is not engaged or current is interrupted.
- Handed for right or left swinging door.
- Concealed or surface wiring.
- Built-in "On/Off" switch controls hold-open function.
- Interfaces with fire alarm systems.
- Standard or optional custom powder coat finish.
- Optional plated finish on cover, arm, and fasteners.



● AVAILABLE
○ NOT AVAILABLE

* Maximum hold-open point with standard template. See individual closer series for degrees of opening and hold-open per installation.

4410ME SERIES

TOP JAMB (PUSH SIDE) MOUNTING

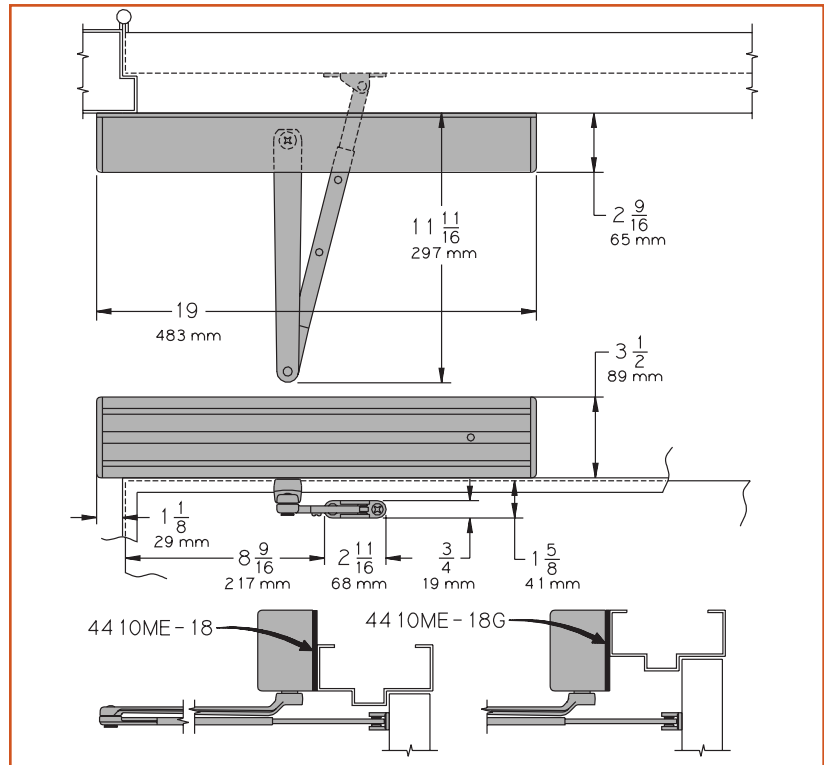
MAXIMUM OPENING

Templating allows 160°, with hold-open points up to 150°.

Optional long arm allows 180°, hold-open points up to 170°.

ME ELECTRICAL OPTIONS

These assemblies have a single electrical circuit with a choice of voltages. A separate TRANSFORMER, 4040SE-3210, can be used to reduce line voltage to 24V AC. Circuitry accepts either AC or DC input. Please specify 24V or 120V.



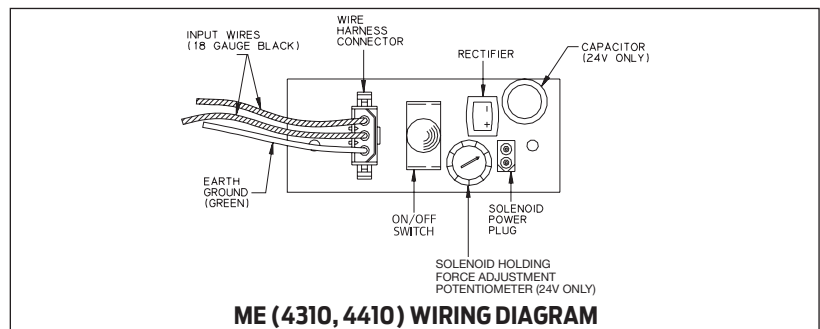
- **Butt Hinges** should not exceed 4-1/2" (114 mm) in width.
- **Top Rail** 1-3/4" (44 mm) minimum. 3-3/4" (95mm) minimum with flush ceiling.
- **Reveal** 3-7/8" (98 mm) maximum regular or long arm. For reveals greater than 3-7/8" consult factory.
- **Head Frame** requires 1-1/2" (38 mm) minimum. 2" (51 mm) minimum with flush ceiling.
- **Flush Ceiling** requires PLATE, 4410ME-18G substituted for standard mounting plate.
- **Bypass** (suffix "B80" or "B140") eliminates hold-open function up to a specified point of door swing. B80 cylinder from 0° to 80°. B140 cylinder from 0° to 140°.
- **Wiring Diagram**

Options

- Hold-open bypass. Optional long arm allows 180° with hold-open points up to 170°.
- Optional -18G plate accommodates flush ceiling conditions.
- 24V or 120V volt input, please specify.

Special Templates

Customized installation templates or products may be available to solve unusual applications. Contact LCN Product Support for assistance.



ME (4310, 4410) WIRING DIAGRAM

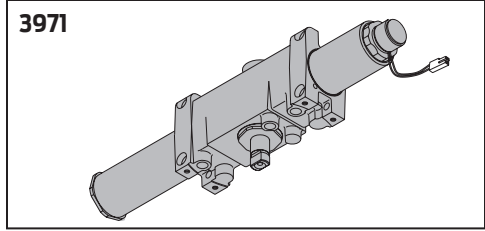
PHONE 877-671-7011
FAX 800-248-1460
www.allegion.com/us
4/15 009426

4410ME SERIES

CYLINDER

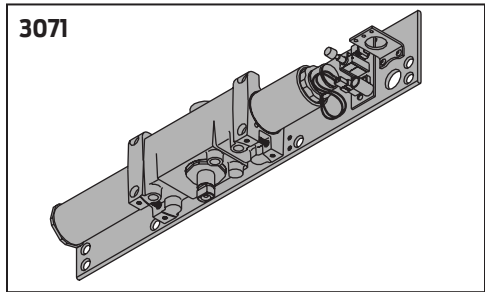
ME CYLINDER, 4414ME-3971

Standard, handed cast iron cylinder assembly.
Please specify 24V or 120V.



ME CYLINDER, 4414ME-3071

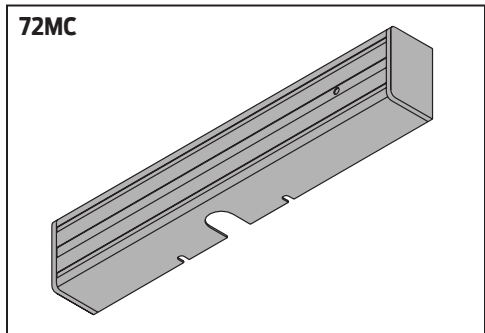
Standard, handed cylinder and mounting plate assembly.
"On/Off" switch assembly controls hold-open function.
Circuitry accepts either AC or DC input.
Please specify 24V or 120V.



COVERS

COVER, 4410ME-72MC

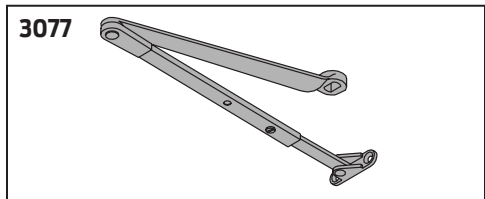
Handed, metal cover.



ARMS

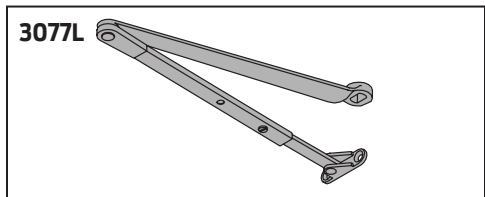
REGULAR ARM, 4410ME-3077

Non-handed arm.
3-7/8" (98 mm) maximum reveal.



LONG ARM, 4410ME-3077L

Optional long ARM for increasing opening to 180°.
3-7/8" (98 mm) maximum reveal.

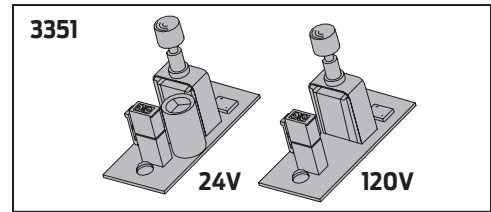


4410ME SERIES

SWITCH

SWITCH, 4410ME-3351

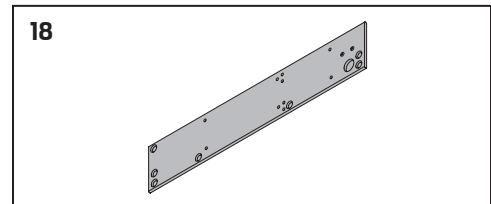
"On/Off" switch assembly provides continuous hold-open function. Available as 24V or 120V, please specify.



INSTALLATION ACCESSORIES

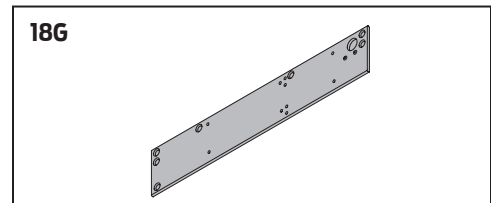
MOUNTING PLATE, 4410ME-18

Standard mounting plate.



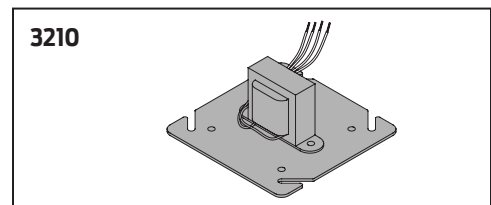
MOUNTING PLATE, 4410ME-18G

Optional mounting plate substituted for standard plate on flush ceiling installations.



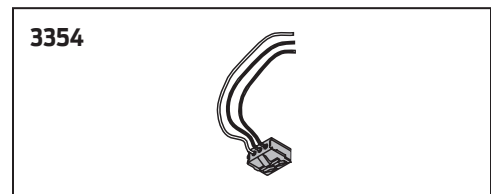
TRANSFORMER, 4410ME - 3210

Reduces line voltage from 120V to 24V AC.
Mounted on cover for 4" (102 mm) x 4" x 2-1/8" (54 mm) junction box (by others).



ME WIRING HARNESS, 4410ME-3354

Three wire harness with 6" (152 mm) leads for field wiring connections.

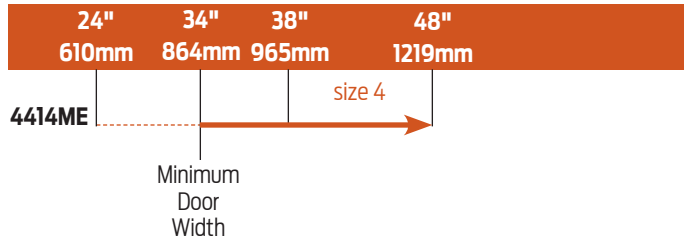


4410ME SERIES

TABLE OF SIZES

Closing power of 4414ME Series closers may be increased 15%.

INTERIOR DOOR WIDTH



→ Indicates recommended range of door width for closer size.

HOW-TO-ORDER 4410ME SERIES CLOSERS

1. SPECIFY HAND

- RH
- LH

2. VOLTAGE

- 24V AC/DC
- 120V AC/DC

3. SPECIFY FINISH

- Standard Powder Coat _____
Aluminum, Dark Bronze, Statuary,
Light Bronze, Black, Brass.

Closer will be shipped with:

- STANDARD COVER,
- REGULAR ARM,
- WOOD & MACHINE SCREW PACK,
unless options listed below are selected.

CLOSER OPTIONS

CYLINDER FUNCTION

- Bypass 80° (B80)
- Bypass 140° (B140)

ARM

- Long (LONG)

FINISHES

- Custom Powder Coat (RAL)
- Plated Finish, US

SCREW PACK

- TB*, Wood & Machine Screw (TBWMS)
 - TORX Machine Screw (TORX)
 - TB* & TORX Machine Screw (TBTRX)
- *Specify door thickness if other than 1-3/4".

INSTALLATION ACCESSORIES

- Plate, 4410ME-18G
(substituted for standard mounting plate).
- Transformer, 4410ME-3210

SPECIAL TEMPLATE

- ST-_____