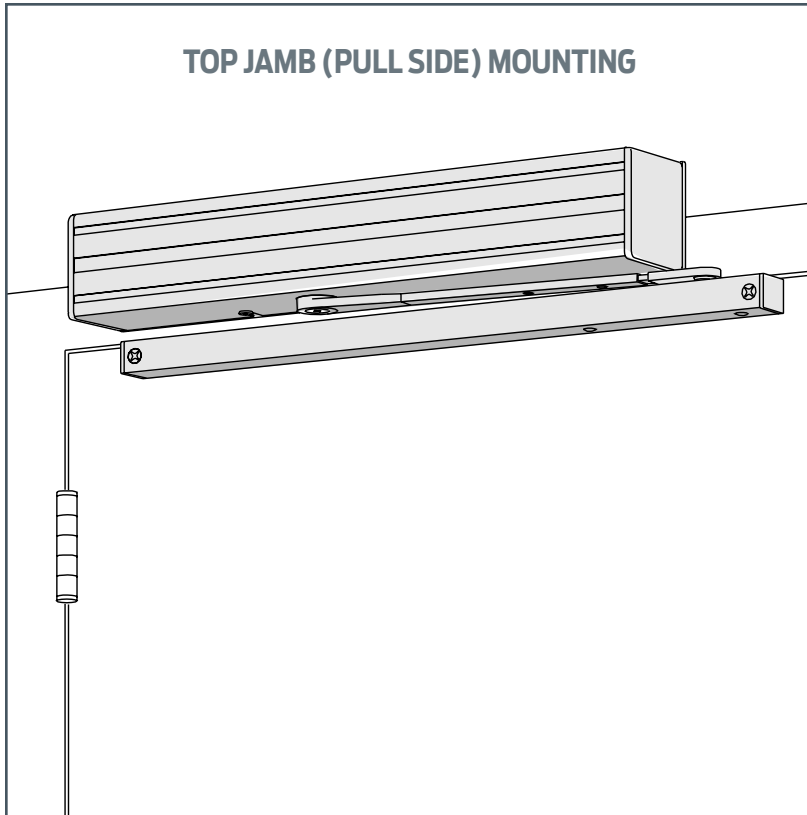


# 4810 SERIES

## FEATURES



The 4810 AUTO EQUALIZER™ is LCN's pneumatically powered MULTI-DOOR solution. This low-energy automatic operator provides easy access for people with disabilities, or the elderly. Designed primarily for manual opening applications that occasionally require automatic opening.

- Multi-Door Solution.
- Utilizes a 10,000,000 Cycle Heavy Duty Door Closer.
- Quiet, Efficient & Reliable.
- Requires Control Boxes with integral compressor or control box using auxiliary air supply.
- Guard Rails/Safety Mats not required.

*The 4810 Series is UL and cUL228 listed and meets the provisions of ANSI Standards A117.1, A156.19, and the Americans with Disabilities Act.*

- Ideal for multi-door applications since cost per door leaf decrease significantly as the number of door leaves increases.
- Standard, plate mounted 4810 Series closer shipped with single lever (standard) arm, metal cover, standard track, and wood and machine screw pack. See 4810 Series page 16 for options.
- Meets ADA requirements (power mode).
- Non-sized cylinders for interior doors to 4'0" and exterior doors to 3'0".
- Non-handed.
- Requires additional system components. See CONTROL BOX pages 27-29 and ACTUATORS & ACCESSORIES, pages 122-137.
- Standard or optional custom powder coated finish, end caps are black.
- Optional plated finish on cover, arm, and fasteners.

MOUNTING				FINISH		COVER		CYLINDER				*ARM FUNCTION							
TOP JAMB (PULL SIDE)	TOP JAMB (PUSH SIDE)	PARALLEL ARM	CONCEALED	POWDER COAT	PLATED	PLASTIC	METAL	NON-HANDED	NON-SIZED	ACCESSIBILITY*	POWER OPERATOR	HOLD-OPEN	DPS SWITCH	90°	STANDARD (SINGLE)	REGULAR (DOUBLE)	EXTRA DUTY ARM	CUSH-AL-STOP	SPRING CUSH
●	○	○	○	●	●	○	●	●	○	○	○	○	○	○	○	○	○	○	○

● AVAILABLE  
○ NOT AVAILABLE

♿ Meets ADA requirements (power mode).  
\* See individual series for maximum manual opening.

# 4810 SERIES

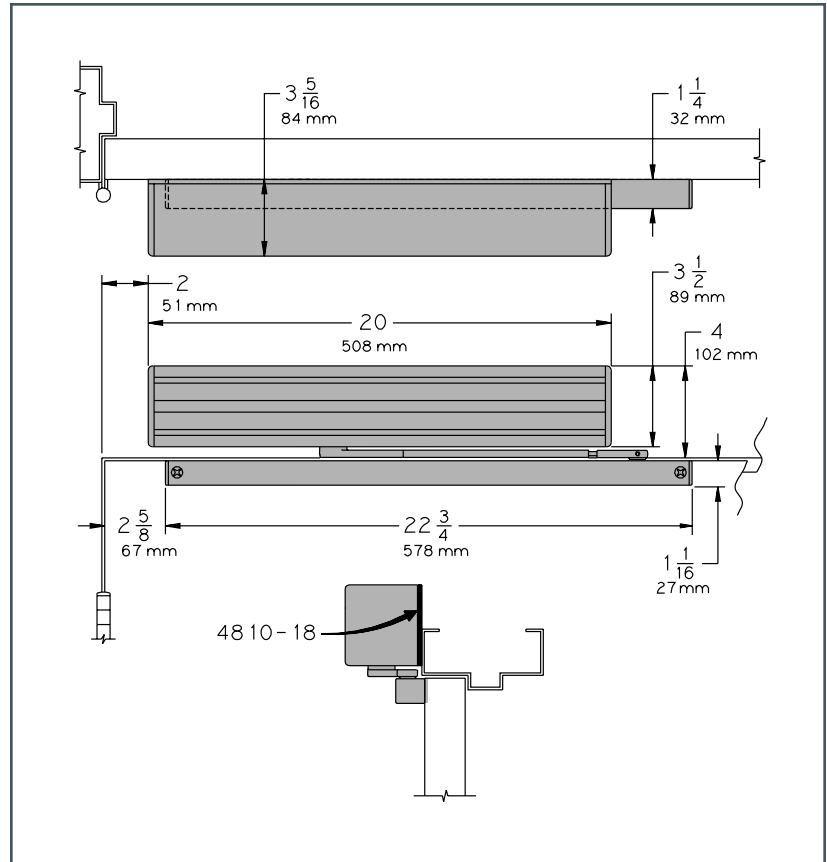
## MOUNTING DETAILS

### TOP JAMB (PULL SIDE) MOUNTING

#### MAXIMUM OPENING

Templating allows 90° power opening and 170° manual opening.

Please note that many track style door closers are capable of allowing 180° of door swing. Track style closers are at their weakest closing force at 180°. Consult factory for applications where exterior or large/heavy door must swing 180°.



- Butt Hinges should not exceed 5" (127 mm) in width.
- Auxiliary Stop is recommended.
- Reveal should not exceed 1/8" (3 mm).
- Head Frame minimum 2" (51 mm).
- Top Rail minimum 1-1/8" (29 mm).
- System Diagram See "AUTOMATIC OPERATORS" section pages 7-8 for typical system wiring, and pages 27-29 for electrical and pneumatic data for control boxes.

#### Special Templates

Customized installation templates or products may be available to solve unusual applications. Contact LCN Product Support for assistance.

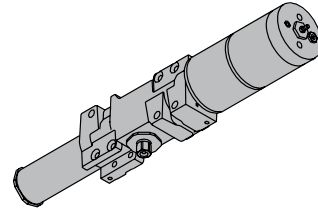
# 4810 SERIES

## CYLINDERS

### CYLINDER ONLY, 4811-3971

Standard, non-handed, cast iron cylinder.

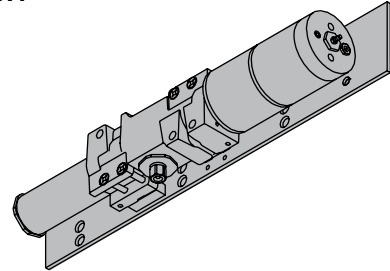
3971



### CYLINDER ASSEMBLY, 4811-3071

Standard, non-handed, cast iron cylinder and mounting plate.

3071

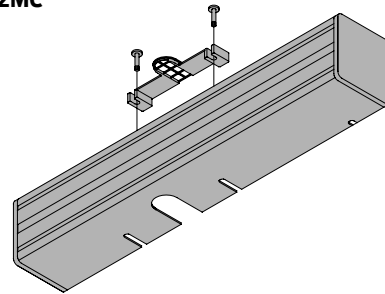


## COVERS

### COVER, 4810-72MC

Standard, non-handed metal cover with black end caps.

72MC

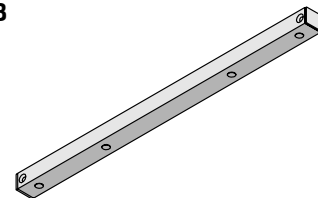


## TRACKS

### STANDARD TRACK, 4810-3038

Standard non-handed track.  
Will not accept hold open clip or bumper assembly.

3038

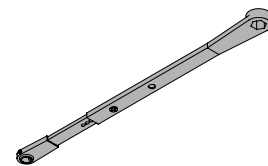


## ARMS

### STANDARD ARM, 4810-3077T

Non-handed arm.  
Track roller not included with arm.

3077T

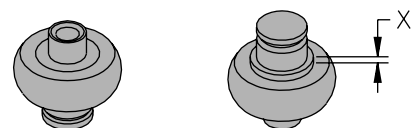


## INSTALLATION ACCESSORIES

### TRACK ROLLER, 4810-3034

Quiet low friction roller assembly.  
Shoulder dimension "X" = 1/8" (3mm).

3034

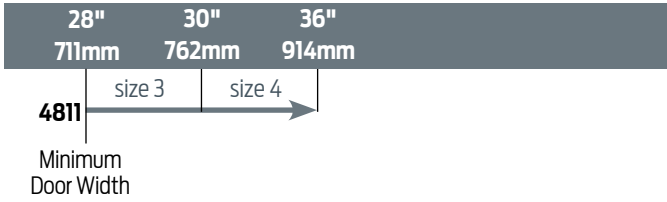


# 4810 SERIES

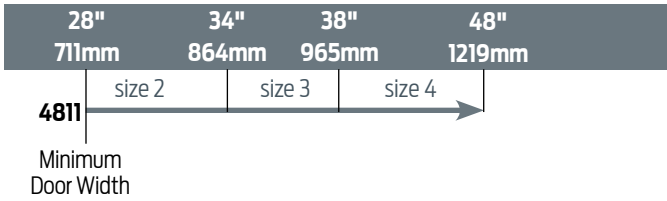
## TABLE OF SIZES

Non-sized 4810 Series cylinder is adjustable from size 1 through size 4 and is shipped set to size 3. Closing power of 4810 Series closers may be increased 50%.

### EXTERIOR (and VESTIBULE) DOOR WIDTH



### INTERIOR DOOR WIDTH



→ Indicates recommended range of door width for closer size.

NOTE: Minimum door width 28" (711 mm).

## HOW-TO-ORDER 4810 SERIES CLOSERS

### 1. SPECIFY FINISH

- Standard Powder Coat \_\_\_\_\_  
Aluminum, Dark Bronze, Statuary,  
Light Bronze, Black, Brass.

### Closer will be shipped with:

- STANDARD CYLINDER,
- STANDARD METAL COVER,
- STANDARD ARM,
- TRACK ROLLER,
- STANDARD TRACK,
- WOOD and MACHINE SCREW PACK,  
*unless options listed below are selected.*

## CLOSER OPTIONS

### FINISH

- Custom Powder Coat (RAL)- \_\_\_\_\_
- Plated Finish, US- \_\_\_\_\_

### SCREW PACK

- TB\*, Wood & Machine Screw (TBWMS)  
\*Specify door thickness if other than 1-3/4".

### SPECIAL TEMPLATE

- ST- \_\_\_\_\_