

Architectural Door Accessories

ASSA ABLOY

PemkoHinge®

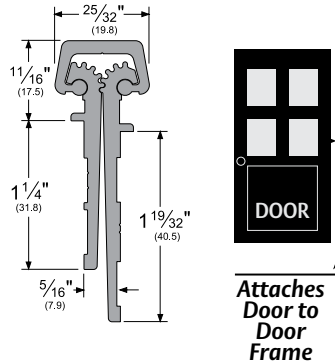
The global leader in
door opening solutions

Applies to the following product:

_SPFM_SLI

Continuous Geared Hinge

**Standard Duty
Special Full Mortise-Short Leaf Inset
6" Between Bearing Centers**



Attributes:

PemkoHinge® Attributes:

- With a continuous hinge, typical alignment problems, such as door sag and binding, are eliminated. Unlike conventional hinges, the continuous hinge distributes load stress uniformly along the full length of the door and frame.
- The gear design of the continuous hinge ensures identical operation of each leaf; therefore, very little effort is required to open heavy commercial doors.
- Continuous hinge installation screws are located along the full length of the hinge, thereby preventing warping of the door along the hinge jamb.
- The continuous hinge acts as reinforcement for both door and frame.
- A high degree of security can be achieved for exterior openings or restricted spaces by using a continuous hinge. With the geared construction and the full-length channel cap, the common gap between the door and frame is sealed, which provides security against prying.
- In addition, the closing of this gap protects against pinching fingers in doors in public areas, particularly those where children are present.
- Sightproof design of the continuous hinge provides privacy for lavatories, executive offices, or file rooms.
- PemkoHinge® products are GUARANTEED FOR THE LIFE OF THE OPENING against defects in material or workmanship with the exception of residential and aluminum hinges which carry a 10 year warranty.

Standard Duty Special Full Mortise:

- Designed mainly for new door and frame applications where the hinge leaf may interfere with the weatherstrip, thermo-break or applied stop of the frame.
- Applied to conceal both leaves.

Why PemkoHinge® ?

- Tested and certified with the best warranty in the industry.
- No restrictions on frame gauge and wall conditions.
- No restriction on cutting hinges in field.
- No special cutting instructions or voided warranties.
- No special door and frame preps up to and including 90 minute doors.

Product / Available Finishes:

BLFM	Black Anodized Aluminum	CFM	Clear Anodized Aluminum
DFM	Dark Bronze Anodized Aluminum	PWFM	Painted White Aluminum
SNFM	Satin Nickel Anodized Aluminum		

Testing/Ratings:

Aluminum continuous hinge for use on swinging type fire doors of the hollow metal, tin-clad, sheet metal and steel covered composite type rated up to 3 hours, wood covered composite type rated up to and including 1-1/2 hours. Also wood core rated up to and including 20 minutes without hose stream. Meet criteria of UBC 7.2 for positive pressure.



LISTED
Door Hinges
76Y2

Architectural Door Accessories

ASSA ABLOY

PemkoHinge®

The global leader in
door opening solutions

Installation Instructions:

Special Full Mortise units are designed mainly for new aluminum doors and frame applications where the hinge leaf may interfere with the weatherstrip or applied stop of the frame, and are applied so as to conceal both leaves. In retrofit applications, the door width must be reduced for proper clearance as shown in Figures A & B (below).

1. With the hinge leaves open, position the hinge against the frame rabbet. Be sure the leaf alignment flange is tight against the face of the frame. Allow 1/8" between the frame header and the top of the hinge leaf for door clearance. Mark and drill the top two holes per Drill Size Chart (below). **(Do not install).**
2. Position the door leaf of the hinge on the door. Be sure that the door leaf alignment flange is seated along the full length of the door edge, and the top edge of the door leaf is flush with the top edge of the door. Mark and drill all holes per Drill Size Chart. Thread tapping not required.
3. Screw the door leaf portion of the hinge to the door using the 12-24x7/16" thread forming screws. (Use wax or soap on screws to aid installation.)
4. Position the door at 90° to the frame. Install the top two screws in the frame leaf.
5. Close door and inspect for proper clearance and fit. Make adjustments as required due to improper frame installation if necessary to ensure proper operation of the complete assembly.
6. Mark and drill remaining frame leaf holes per Drill Size Chart, and install remaining screws.

Shortening the Hinge:

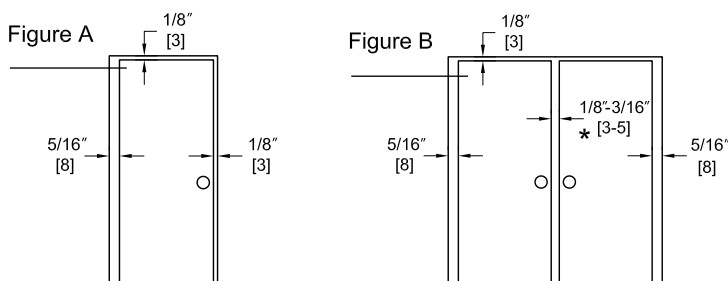


If the PemkoHinge® must be shortened, cut the bottom only using a chop saw. This will allow metal chips to work out after the installation. Although the PemkoHinge® is not handed, the hinge becomes handed after cutting and the cut edge must be installed at the bottom of the opening.

Drill Size Chart:

MATERIAL	THICKNESS	DRILL SIZE
Aluminum	.090 - .140	13
Metal	20 gauge	17
Metal	16-18 gauge	15
Metal	12-14 gauge	13
Wood	N/A	5/32"

Figures:



* Allow extra clearance as required per astragal manufacturer.

Testing/Ratings:

Aluminum continuous hinge for use on swinging type fire doors of the hollow metal, tin-clad, sheet metal and steel covered composite type rated up to 3 hours, wood covered composite type rated up to and including 1-1/2 hours. Also wood core rated up to and including 20 minutes without hose stream. Meet criteria of UBC 7.2 for positive pressure.



LISTED
Door Hinges
76Y2