

## Model E-M19

### Application

- Offset Hung
- Electric Pivot for Power Transfer
- Handed

### Product Description & Features

- Not load-bearing
- Door and jamb portion are factory assembled and cannot be separated
- Always use M19 intermediate pivot to install door
- Specify four, six, eight or twelve wires
- ElectroLynx® option available, suffix "QC#" (number of wires)
- 24-gauge wire is rated at 2 amps for low voltage, Class II wiring applications
- 3/4" (19mm) offset
- Door edges must be beveled in 1/8" in 2"
- Furnished with wood and machine screws

### Optional Features

- Available 1-1/2" offset

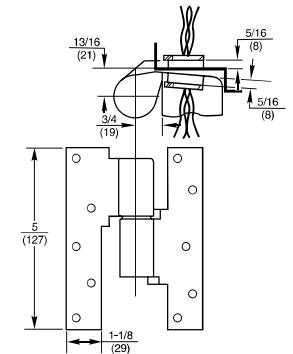
### Compliance

- Available for fire door assemblies (ferrous material) – specify E-FM19
- For 20-minute label, suffix "-20" to the part number

*Whenever power transfer pivots are used, the leaves must not be separated*



### Technical Information



## Model E-M19U

### Application

- Offset Hung
- Electric Pivot for Power Transfer
- Handed
- For Electrified Panic Devices with Large Inrush Current

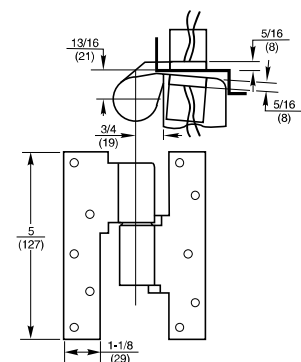
### Product Description & Features

- Not load-bearing
- Door and jamb portion are factory assembled and cannot be separated
- Two each 18 gauge wires. Each wire is rated at 2 amps continuously. UL listed for 24-volt, Class I wiring
- ElectroLynx® option not available
- Junction boxes are supplied with pivots
- Not available in ferrous material
- 3/4" (19mm) offset
- Always use M19 intermediate pivot to install door
- Door edges must be beveled in 1/8" in 2"
- Furnished with wood and machine screws

*Whenever power transfer pivots are used, the leaves must not be separated*



### Technical Information



**RIXSON®**  
**ASSA ABLOY**

Experience a safer  
and more open world