

Application

- Exterior or Interior Doors
- Lead-Lined, Heavy, High Traffic Doors
- Weight to 800 lbs.
- Door Width up to 4'0" (1219mm)
- Handed

Product Description & Features

- L180 top pivot included
- ML19 intermediate pivot required (order separately)
- 3/4" (19mm) offset (measured from centerline of pivot to face of door)
- Door edges must be beveled 1/8" in 2"
- Bottom pivot mounts directly to floor
- Doors with lead lining under the skin should also use this product.
- Screw holes in top pivot and bottom arm spaced to straddle lead lining in the middle of the door
- Doors will swing 180°, trim permitting
- Non-ferrous base material
- Doors 60" (1524mm) to 90" (2286mm) in height should use one intermediate pivot. Each additional 30" (762mm) of door height warrants another intermediate pivot
- Available to accommodate lead in door thicknesses 1-3/4" (44mm), 2" (51mm), 2-1/4" (57mm), 2-1/2" (64mm), or 3" (76mm) – specify when ordering
- Furnished with wood and machine screws

Optional Features

- Extended spindles available in 1/2" (13mm) increments up to 2" (51mm) longer than standard

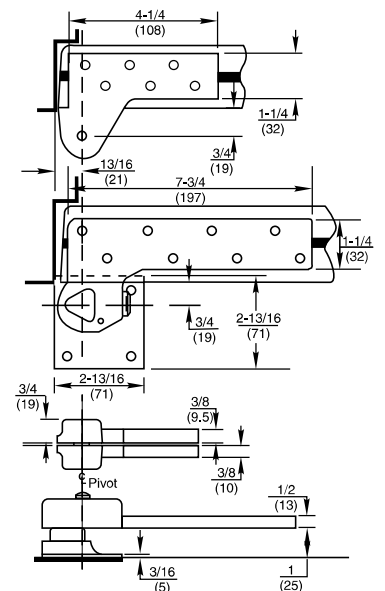
Compliance

- Available for fire door assemblies up to three hours for 1-3/4" (44mm) doors only (ferrous material) – specify FL147. Intermediate pivot required by UL. Specify FML19 (order separately)
- For 20-minute label suffix "-20" to the part number
- ANSI/C07162/C07202



Technical Information

(Frame stop required)



1-3/4" door shown